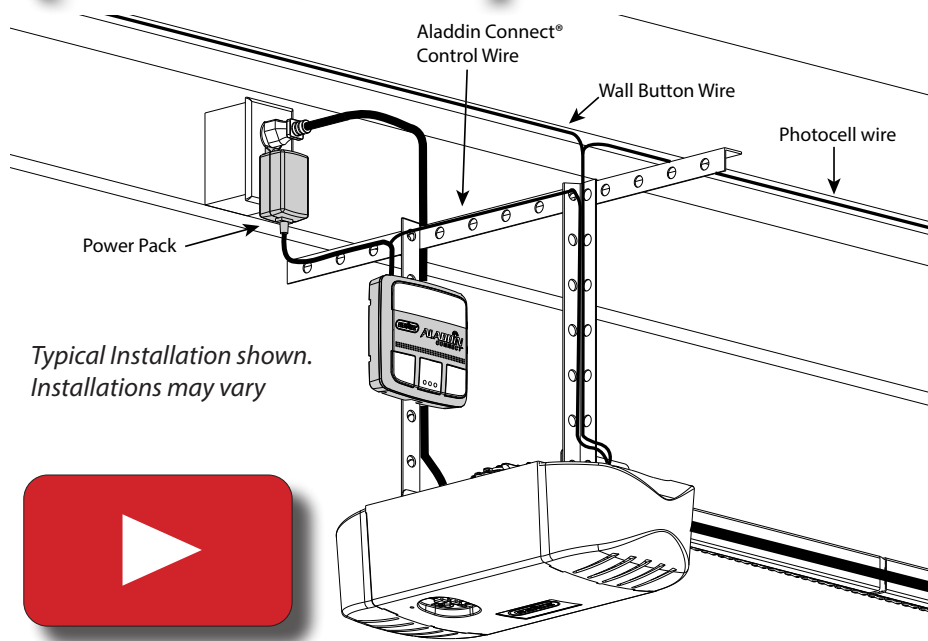




# Quick Set-up Guide



Typical Installation shown. Installations may vary



For a video of this installation, visit [www.GenieCompany.com/AladdinConnect/InstallationVideo](http://www.GenieCompany.com/AladdinConnect/InstallationVideo)

**Need help or have questions? Contact Aladdin Connect® Customer Service at 1-866-599-4995 Mon-Fri 9am -8pm EST, Sat 10am - 6pm EST.**

### Recommended Tools

- Drill & 3/32 Bit
- Small Common Screwdriver
- 5/16 Wrench or Nut Driver
- Phillips Head Screwdriver
- Wire Cutters/ Strippers
- Hammer

### Included Components

- DCM (Door Control Module)
- DPS (Door Position Sensor)
- Hardware Bag
- Power Pack
- Wire Spool
- Insulated Staple x30



Scan for the Aladdin Connect® installation video



Scan here for additional Aladdin Connect® information

### IMPORTANT SAFETY INSTRUCTIONS WARNING

**TO REDUCE THE RISK OF SEVERE INJURY OR DEATH, READ AND FOLLOW ALL INSTRUCTIONS.**

- NEVER let children operate or play with the door controls.
- Keep remote away from children.
- Locate the wall control button: A) Within sight of door. B) At a minimum height of 5 feet, so small children cannot reach it.
- Install the entrapment WARNING label next to the wall button or console, in a prominent location.
- NO ONE SHOULD CROSS THE PATH OF THE MOVING DOOR.
- NEVER GO UNDER A STOPPED, PARTIALLY OPEN DOOR.
- The Aladdin Connect® operating system is designed for unattended operation. The door could move unexpectedly.
- DO NOT install Aladdin Connect® on garage door openers manufactured prior to 1993 without photocell non-contact safety sensors.
- DO NOT install on one-piece doors
- Install DCM in a location where it can be seen and heard while standing in the door opening with the door in the open position.

**SAVE THESE INSTRUCTIONS**

### CONSIGNES DE SÉCURITÉ IMPORTANTES AVERTISSEMENT

**POUR RÉDUIRE LE RISQUE DE BLESSURES GRAVES VOIRE MORTELLES, LIRE ET COMPRENDRE TOUTES LES INSTRUCTIONS.**

- NE JAMAIS laisser les enfants utiliser ou jouer avec les commandes de l'ouvre-porte.
- Tenir les télécommandes hors de la portée des enfants.
- Localiser le bouton de la console murale : A) En vue de la porte. B) À une hauteur minimale de 1,5 m afin que les jeunes enfants ne puissent pas l'atteindre.
- Placer l'étiquette d'AVERTISSEMENT en cas de coinçage à proximité du bouton mural ou de la console murale de manière à ce qu'elle soit bien en évidence.
- NE JAMAIS PASSER SOUS LA PORTE EN MOUVEMENT.
- NE JAMAIS PASSER SOUS UNE PORTE À L'ARRÊT PARTIELLEMENT OUVERTE.
- Le système d'exploitation Aladdin Connect® a été conçu pour fonctionner sans surveillance. La porte peut se déplacer de façon inattendue.
- NE PAS installer Aladdin Connect® sur les ouvre-portes de garage fabriqués avant 1993, sans capteurs de sécurité photoélectrique sans contact.
- NE PAS installer sur les portes d'une seule pièce.
- Installez DCM dans un endroit où il peut être vu et entendu tout en se tenant dans l'ouverture de la porte avec la porte en position ouverte.

**CONSERVER CES INSTRUCTIONS**

### WARNING

**UNPLUG GARAGE DOOR OPENER PRIOR TO INSTALLING Aladdin Connect® Door may operate unexpectedly.**

### AVERTISSEMENT

**DÉBRANCHER L'OUVRE-PORTE DE GARAGE AVANT D'INSTALLER Aladdin Connect® La porte peut fonctionner de façon inattendue.**

## STEP 1 - Determine Mounting Location for DCM

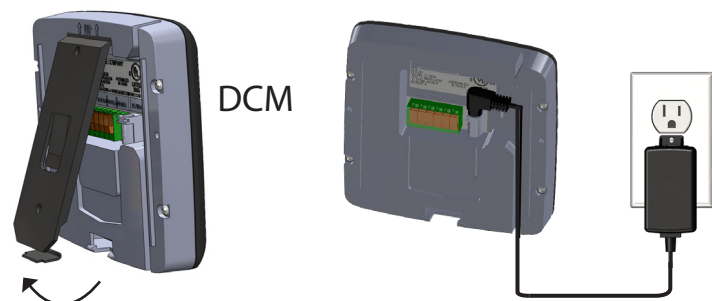
Select a location that meets the following criteria:

- Where the DCM can be seen and heard when door is opening
- Within 5ft of a standard 110v AC power outlet
- Within 25ft from either the garage door opener or a wired wall control button.

The DCM is commonly mounted in the following locations:

- Mount above an outlet in the garage - if near the personnel door, the DCM can be used as a second wall control button or in place of the existing wall button.
- Mount next to opener near ceiling - you can plug it into the same outlet as the opener and easily wire the DCM to the opener itself.

Once mounting location has been determined, remove the mounting bracket from the back of DCM, plug in the powercord to the power outlet and connect the plug to the DCM.



## STEP 2 - Check Wi-Fi coverage

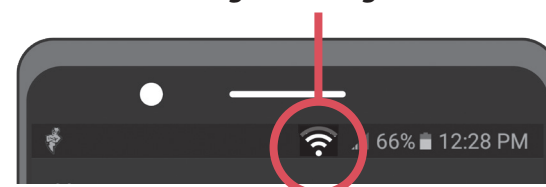
Before beginning, please verify the Wi-Fi signal in the garage.

- Connect smartphone to the home Wi-Fi and walk into the garage.
- Place phone where the DCM will be mounted.
- The Wi-Fi signal strength at that location must be at least two bars.

If there are not at least two bars, try these steps to improve signal strength:

- Make sure that the Wi-Fi router is out in the open (not behind large electronics or in a cabinet).
- Move the Wi-Fi router closer to the garage.
- Purchase a Wi-Fi extender, available at most electronics stores.

Device Wi-Fi signal strength indicator



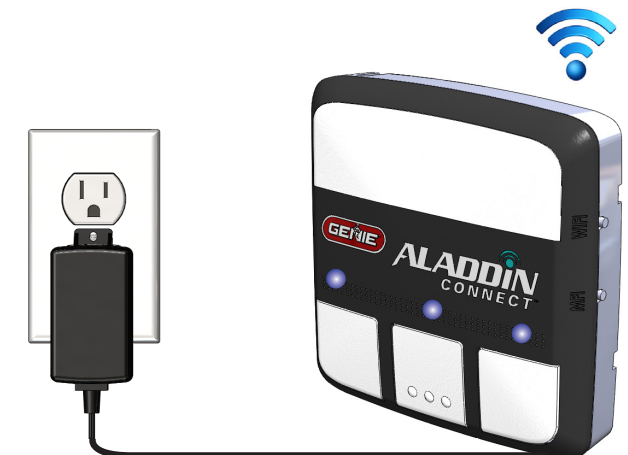
Scan for iOS app

Available on the App Store

Scan for Android app

GET IT ON Google play

Apple and the Apple logo are trademarks of Apple Inc., registered in the U.S. and other countries. App Store is a service mark of Apple Inc.



## STEP 4 - Wiring the DCM (Single Door Install Shown with Genie Opener)

Before you begin, make sure the garage door opener is unplugged so the door does not move unexpectedly.

1. Leaving the wire spool intact, split one end of the dual strand wire approximately 2 in. then strip 1/2 in. of insulation (FIG. A)
2. On the terminal strip (back of the DCM), press down on the orange tabs and insert 1 wire each into each of the two terminals for DOOR 1. Each DOOR number on the terminal strip corresponds to a button on the front of the panel (FIG. B & C).

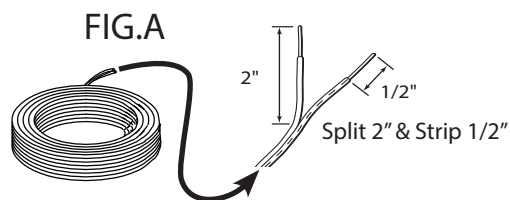
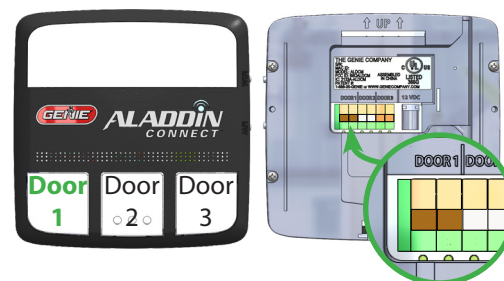


FIG. A  
Split 2" & Strip 1/2"



Press tab down to install wire.

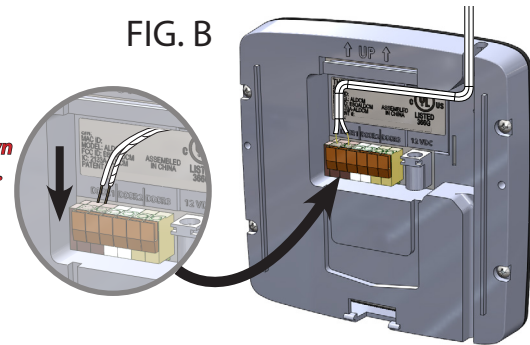


FIG. C

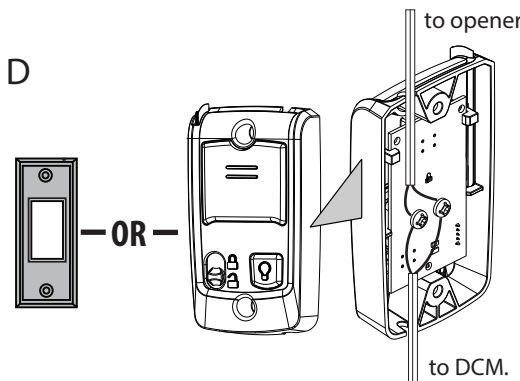
NOTE: This Wi-Fi retrofit kit can control up to 3 garage door openers.

## STEP 5a - Option 1 - Wiring to Wired Wall Control

There are two ways to wire the DCM for power. Please review Options 1 and 2 for Wiring steps.

1. Remove the wall control push button and locate screw terminals on the back.
2. Cut the dual wire strand and split the end ~2 in. and then strip 1/2 in. of insulation (FIG. A)
3. Add the black/white wire from the DCM to the screw with the black/white wire on the wall control.
4. Add the white/white wire from the DCM to the other screw on the wall control.

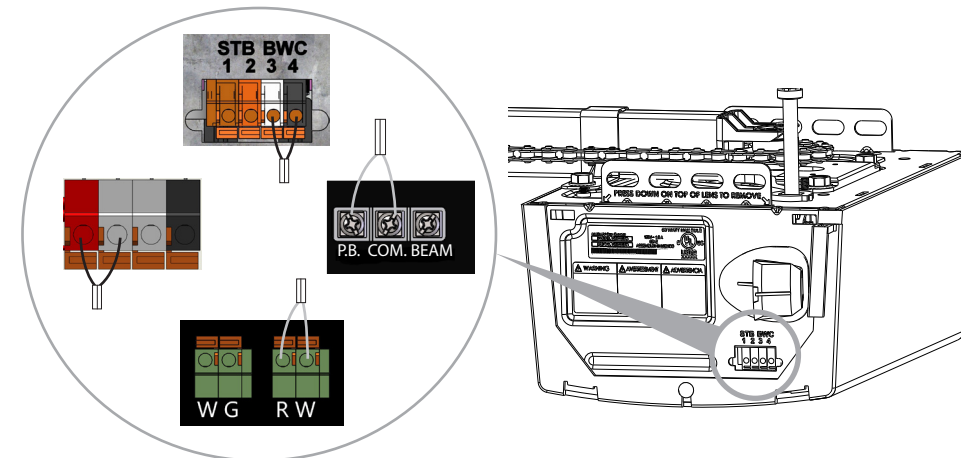
FIG. D



NOTE: Wires are polarity sensitive at the wall console terminals. Check your opener manual to review proper terminal wiring as needed.

## STEP 5b - Option 2 - Wiring to Garage Door Opener

1. Find the terminals for the push button wired wall console
  - a. If your garage door opener has screw terminals, connect one wire to the push button terminal and the other to the common (comm) terminal.
  - b. If your garage door opener has colored terminals, wire to the red and white terminals (or R and W).

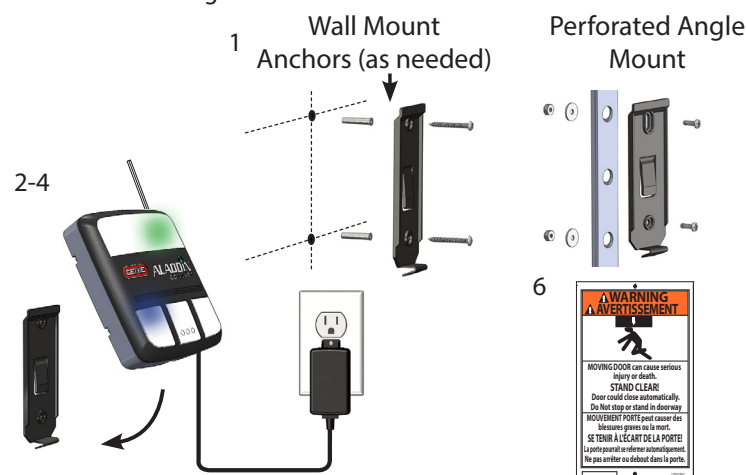


NOTE: Garage door openers have terminal strips or screw terminals to connect to safety beams (STB or Beam) AND to the wall control push button (PB or also called a basic wall control - BWC). The wiring from the door control module connects with existing wires going to the wall control push button terminals. You can review the garage door opener manual to see which terminals are for the push button or just trace the wire from the push button to the opener.

## STEP 6

### Mount and Power Aladdin Connect®:

1. Using the DCM mounting bracket as a template at the optimal Wi-Fi location. Mark and drill 2-3/32" pilot holes and mount bracket to wall using supplied screws. If mounting to drywall, use anchors provided in kit or if mounting to perforated angle at opener location, use nuts, washers and screws provided.
  2. Plug Power Pack into wall outlet. An extended screw is provided to secure Power Pack to outlet if needed.
  3. Plug Power Pack into back of DCM as shown in **STEP 1**.
- NOTE: LEDs on DCM will flash momentarily as it acquires signals.**
4. Snap DCM onto mounting bracket.
  5. Route wires and secure with supplied staples.
  6. Affix the warning placard next to wall control or DCM in plain sight to signify that the door will operate remotely.
  7. Tacks or staples should be used if the placard does not adhere to the mounting surface.



## STEP 7

### Mount DPS Module to Garage Door:

DO NOT remove the battery "PULL TAB" from DPS until directed by the app. The DPS should be mounted on the **TOP door panel** only. Mount to steel reinforced end stile on the far left or right under the top hinge. DO NOT mount to unreinforced door panel.

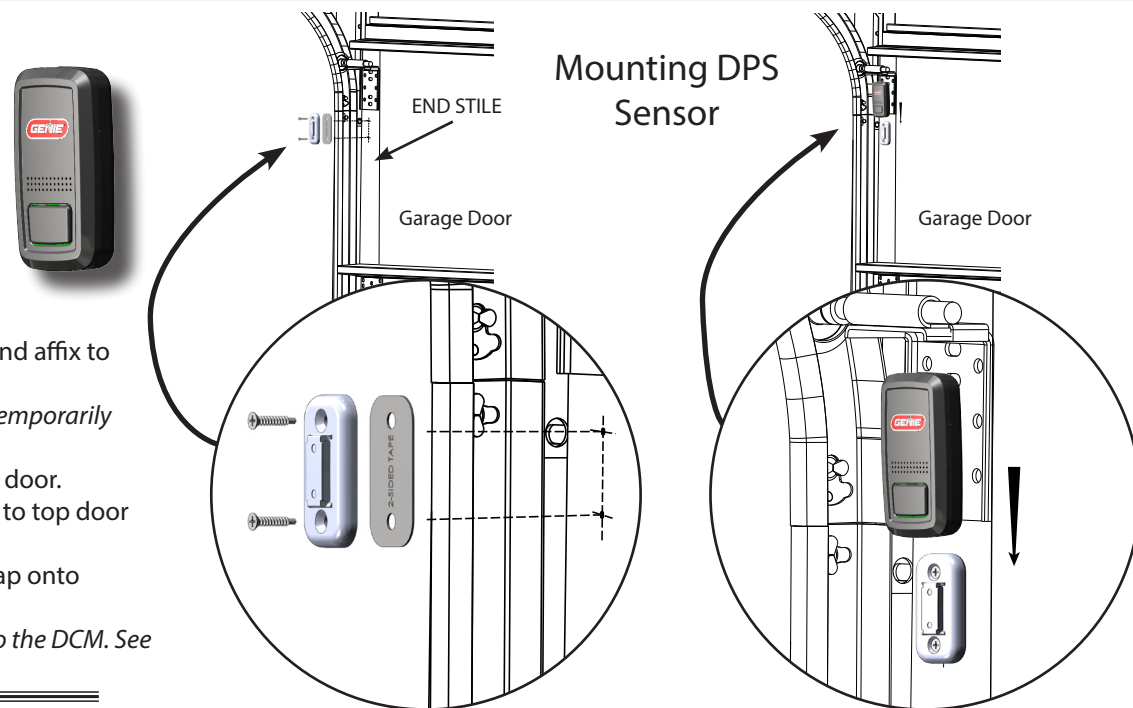
1. Clean door where DPS will mount.
  2. Install double sided tape to back of mounting bracket and affix to door.
- NOTE: Double sided tape is designed to hold bracket in place temporarily only. Not to be used for permanent mounting.**
3. Pre-drill 2 - 3/32 holes. DO NOT drill all the way through door.
  4. Use included self tapping screws to mount DPS bracket to top door panel end stile.
  5. Slide DPS onto mounting bracket. DPS should snap onto bracket.

**NOTE: The DPS included with this kit is already programmed to the DCM. See the NOTE under STEP 8 regarding additional sensors (DPS).**

## STEP 8

### Complete the Programming:

1. Restore power to the garage door opener.
  2. Operate the door with the wall control. Open the Aladdin Connect app and verify that the door position in the app is accurate.
- NOTE: This kit includes one DPS for use with one door only. The DPS included is already programmed to the DCM. Additional sensors can be purchased separately from your local Genie retailer. To program additional sensors, first complete STEP 8 initial setups and programming, then go to "Add a Door Sensor" under the "Doors" tab inside the app or view the installation video at [www.GenieCompany.com/AladdinConnect/InstallationVideo](http://www.GenieCompany.com/AladdinConnect/InstallationVideo).**
- NOTE: A white light will flash and an audible beep will sound as an indication that the door is about to move when commanded by the Aladdin Connect® or other compatible app(s).**



Need help? Call us at 1-866-599-4995 or scan the QR codes for additional support.



Scan for the Aladdin Connect® installation video

Scan here for additional Aladdin Connect® information



©2023 The Genie Company  
One Door Drive, Mt. Hope, OH 44660, USA  
1-year warranty,  
visit [www.geniecompany.com](http://www.geniecompany.com)  
for details.  
Pat. [www.geniecompany.com/patents](http://www.geniecompany.com/patents)

## ⚠ WARNING

- **INGESTION HAZARD:** this product contains a button cell or coin battery.
- **DEATH** or serious injury can occur if ingested.
- A swallowed button cell or coin battery can cause **Internal Chemical Burns** in as little as **2 hours**.
- **KEEP** new and used batteries **OUT OF REACH OF CHILDREN**
- **Seek immediate medical attention** if a battery is suspected to be swallowed or inserted inside any part of the body.



- Remove and immediately recycle or dispose of used batteries according to local regulations and keep away from children. Do NOT dispose of batteries in household trash or incinerate.
- Even used batteries may cause severe injury or death.
- Call a local poison control center for treatment information.
- Replace only with Type CR2450 3V batteries.
- Non-rechargeable batteries are not to be recharged.
- Do not force discharge, recharge, disassemble, heat above (manufacturer's specified temperature rating) or incinerate. Doing so may result in injury due to venting, leakage or explosion resulting in chemical burns.\*
- Ensure the batteries are installed correctly according to polarity (+ and -).
- Do not mix old and new batteries, different brands or types of batteries, such as alkaline, carbon-zinc, or rechargeable batteries.
- Remove and immediately recycle or dispose of batteries from equipment not used for an extended period of time according to local regulations.
- Always completely secure the battery compartment. If the battery compartment does not close securely, stop using the product, remove the batteries, and keep them away from children.

## ⚠ AVERTISSEMENT

- **DANGER D'INGESTION :** Ce produit contient une pile bouton ou une pile bouton.
- **La MORT** ou des blessures graves peuvent survenir en cas d'ingestion.
- Une pile bouton ou une pile bouton avalée peut provoquer des dommages chimiques internes brûle en seulement 2 heures.
- **GARDER** les piles neuves et usagées **HORS DE LA PORTÉE DES ENFANTS**
- Consultez immédiatement un médecin si vous soupçonnez qu'une batterie est avalée ou insérée dans n'importe quelle partie du corps.



- Retirez et recyclez ou jetez immédiatement les piles usagées conformément aux réglementations locales et gardez-les hors de portée des enfants. Ne jetez PAS les piles avec les ordures ménagères ou ne les incinerez pas.
- Même les piles usagées peuvent provoquer des blessures graves, voire la mort.
- Appelez un centre antipoison local pour obtenir des informations sur le traitement.
- Remplacez uniquement par des piles de type CR2450 3 V.
- Les piles non rechargeables ne doivent pas être rechargées.
- Ne forcez pas la décharge, la recharge, le démontage, la chaleur au-dessus de la température nominale spécifiée par le fabricant et l'incinération. Cela pourrait entraîner des blessures dues à une ventilation, une fuite ou une explosion entraînant des brûlures chimiques.
- Assurez-vous que les piles sont installées correctement selon la polarité (+ et -).
- Ne mélangez pas des piles anciennes et neuves, des marques ou des types de piles différents, tels que des piles alcalines, carbone-zinc ou rechargeables.
- Retirez et recyclez ou jetez immédiatement les batteries des équipements non utilisés pendant une période prolongée, conformément aux réglementations locales.
- Sécurisez toujours complètement le compartiment à piles. Si le compartiment des piles ne se ferme pas correctement, arrêtez d'utiliser le produit, retirez les piles et gardez-les hors de portée des enfants.

## ⚠ ¡ADVERTENCIA!

- **PELIGRO DE INGESTIÓN:** Este producto contiene una pila de botón o de botón.
- Puede ocurrir la **MUERTE** o lesiones graves si se ingiere.
- La ingestión de una pila de botón o de botón puede causar daños químicos internos se quema en tan solo 2 horas.
- **MANTENGA** las baterías nuevas y usadas **FUERA DEL ALCANCE de LOS NIÑOS**
- Busque atención médica inmediata si se sospecha que una batería está tragado o insertado dentro de cualquier parte del cuerpo.



- Retire y recicle o deseché inmediatamente las baterías usadas de acuerdo con las regulaciones locales y manténgalas fuera del alcance de los niños. NO deseché las baterías en la basura doméstica ni las incinere.
- Incluso las baterías usadas pueden causar lesiones graves o la muerte.
- Llame a un centro local de control de intoxicaciones para obtener información sobre el tratamiento.
- Reemplácelas únicamente con baterías tipo CR2450 de 3 V.
- Las baterías no recargables no se deben recargar.
- No fuerce la descarga, recargue, desmonte, caliente por encima de (la temperatura nominal especificada por el fabricante) ni incinere. Hacerlo puede provocar lesiones debido a la ventilación, fugas o explosiones que provoquen quemaduras químicas\*.
- Asegúrese de que las baterías estén instaladas correctamente según la polaridad (+ y -).
- No mezcle pilas viejas y nuevas, de diferentes marcas o tipos de pilas, como alcalinas, de carbono-zinc o recargables.
- Retire y recicle o deseché inmediatamente las baterías de los equipos que no se utilicen durante un período prolongado de acuerdo con las regulaciones locales.
- Asegure siempre completamente el compartimiento de la batería. Si el compartimiento de las pilas no cierra de forma segura, deje de utilizar el producto, retire las pilas y manténgalas fuera del alcance de los niños.